

Moe's Original

— **BBQ** —



TAYLOR[®]



Model 430

Frozen Beverage Freezer

Single Flavor

Features

Vary your menu by offering shakes & smoothies or frozen cocktails, fruit juices, coffees, cappuccino and tea slush beverages, all served at the desired thickness.

Freezing Cylinder

One, 4 quart (3.8 liter).

Mix Hopper

One, 14 quart (13.2 liter). Refrigerated to maintain mix below 41°F (5°C). Approved for dairy and non-dairy products.

Indicator Lights

Add Mix light alerts the operator to add mix. When the Mix Out light flashes, the unit automatically shuts down to prevent damage.

Automatic Consistency Control

A specially designed viscosity control automatically maintains superior product quality. An adjustable control allows the operator to serve a wide variety of frozen beverages at the desired thickness.

430

For Customized Pricing Contact:

Arie Rivera

Regional Sales Manager

720.591.9154

arivera@RockyMountainsDistributing.com

Moe's Original

— **BBQ** —



ROCKY MOUNTAINS
DISTRIBUTING

2580 South Tejon Street, Englewood, Colorado 80110

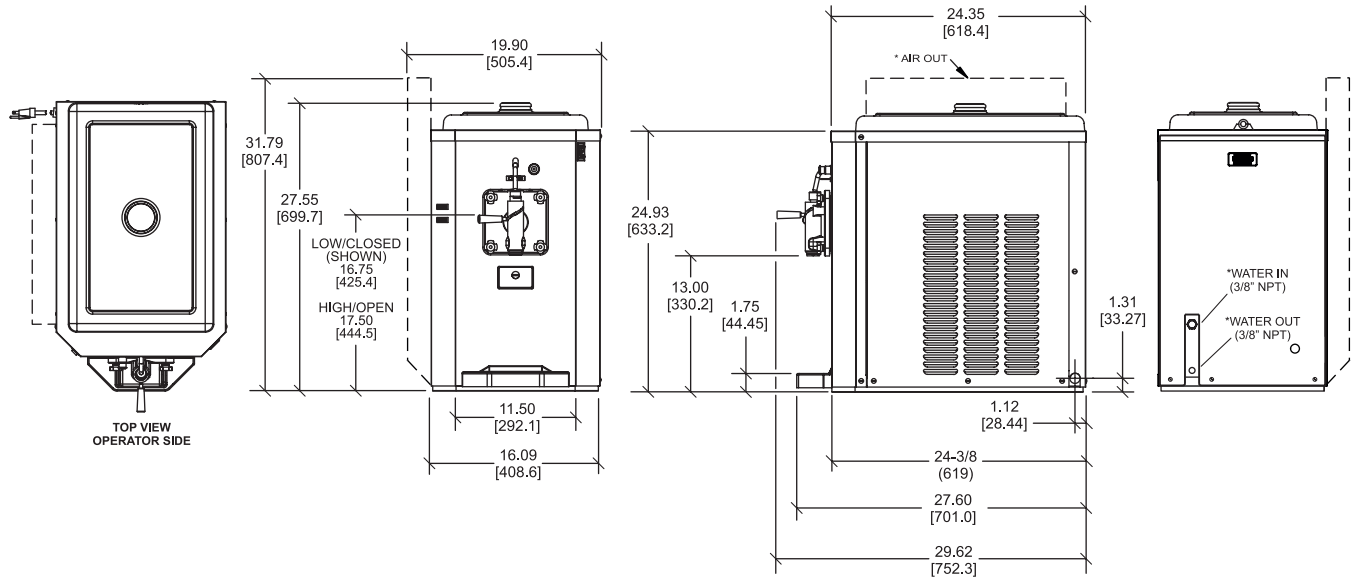
800.758.1038

hello@rockymountainsdistributing.com
www.RockyMountainsDistributing.com

Your Authorized Taylor Distributor

Taylor Model 430 Frozen Beverage Freezer Specifications

430



FIGURES IN BRACKETS INDICATE MILLIMETERS / DECIMAL DIMENSIONS EQUAL TO (PLUS OR MINUS 1/16 INCH [1.5mm]). * WATER COOLED ONLY

Weights	lbs.	kgs.
Net	176	79.8
Crated	207	93.9
Volume	cu. ft.	cu. m.
Volume	17.7	0.50

Dimensions	in.	mm.
Width	16-1/8	408
Depth	27-5/8	701
Height	27-9/16	700
Counter Clearance	--	--

Designed to rest on a plastic pad directly on counter top.

Electrical	Total Amps	Supplied with NEMA Cord
115/60/1 Air	16.0	5-20P
208-230/60/1 Air	9.5	6-15P
220-240/50/1 Air	7.6	----
220-240/50/1 Water	7.6	----

This unit may be manufactured in other electrical characteristics. Refer to the local Taylor Distributor for availability.

(For exact electrical information, always refer to the data label of the unit.)

Bidding Specs

Electrical: Volt _____ Hz _____ ph _____
 Neutral: Yes No **Cooling:** Air Water NA

Options: _____

Specifications

Electrical

One dedicated electrical connection is required. See the Electrical chart for the proper electrical requirements. Manufactured to be cord connected. Consult the international Taylor distributor for cord & receptacle specifications for 50 Hz. equipment.

Refrigeration System

One, approximately 4,000 BTU/hr compressor. R404A. (BTUs may vary depending on compressor used.)

Beater Motor

One, 1/4 HP.

Air Cooled

Minimum Clearance: 3" (76 mm) on both sides. It is recommended to place the rear of the unit against the wall. Minimum air clearances must be met to assure adequate air flow for optimum performance.

Water Cooled

Water inlet and drain connections out of rear 3/8" FPT.

Options

- Flavor Burst Connection
- Graphic Panel Decals
- Panel Spinner
- Set of Four Flavor Cards; Frozen Drinks, Frozen Fruit Drinks, Frozen Cocktails, Smoothies

Continuing research results in steady improvements; therefore, these specifications are subject to change without notice.



Taylor Company,
 Rockton, Illinois 61072
www.taylor-company.com



ISO 9001:2008
 Registered Firm